

A typical LUMIN + N1 system in use:

INCLUDED IN THIS BOX

- LUMIN N1 Network Switch
- Power Cable (IEC cable for your country's power supply)
- 2x SFP LC Modules
- Optical Network Cable
- RJ45 Ethernet Cable
- Quickstart Guide
- Safety Information

CUSTOMER SUPPORT

Online

Visit our website at www.luminmusic.com

Email

Send support emails to support@luminmusic.com



© 2026, All Rights Reserved.

FEATURES

10-Port Audiophile-Grade Network Switch

4x SFP Fibre 6x RJ45 Copper

Zero Config Required

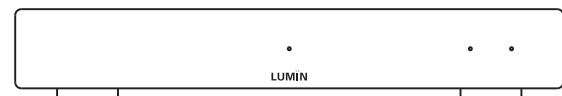
Toroidal Linear Power Supply

10M External Clock Input

Aluminium Chassis

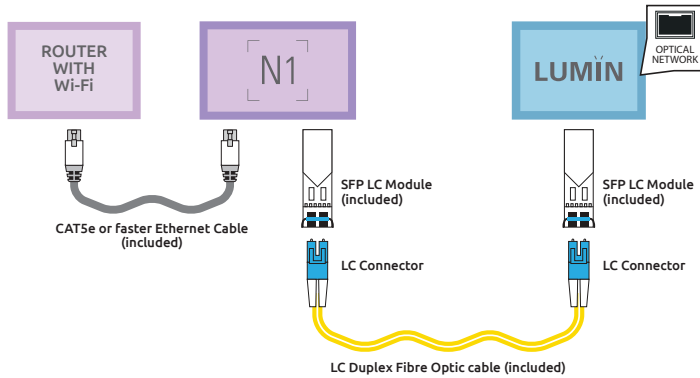
LUMIN N1

QUICKSTART GUIDE



TYPICAL NETWORK

The simplest network uses copper Ethernet from your Router into LUMIN N1 and then Fibre from N1 into your LUMIN Player:

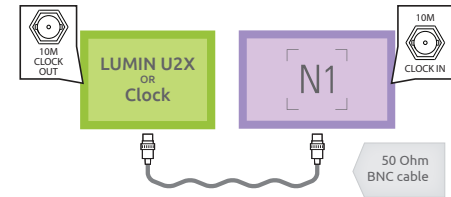


10M CLOCK

LUMIN N1 has a BNC 10M clock input for synchronising with devices that have a 10M clock output such as LUMIN U2X or a 3rd party master clock.

This approach can help minimize jitter by ensuring all devices are operating on a consistent and stable timing reference.

Simply connect your clock via the BNC input using a 50 Ohm BNC cable.



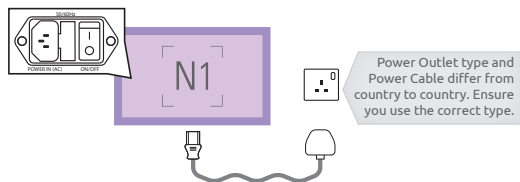
The presence of an external clock signal is auto-detected and a front panel LED displays whether the internal or an external clock is active.

INT CLOCK EXT

POWER

Power is required for all LUMIN N1 functions. Make all other connections first and then use the included Mains Power Cable to connect LUMIN N1 to your Power Outlet.

Then turn LUMIN N1 on using the rear switch.



LEDS

Because network port LEDs and other status LEDs can be a distraction during music listening, LUMIN N1 has a physical switch on the rear panel to disable these.

Once turned to 'OFF', all LEDs including the Power LED will be disabled.

If required (e.g. when troubleshooting), the LEDs can be immediately activated again using this switch.

LED

ON/OFF

For more help and information, please visit
www.luminmusic.com