

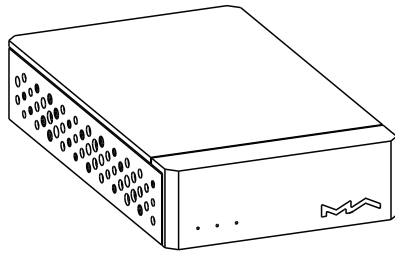


# SI-1

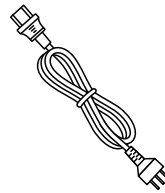
Audio Grade Network Isolator

USER MANUAL

Packing list.....	01
Parts and names.....	02
Front.....	02
Rear.....	03
Appendix.....	05
Technical specifications.....	05
Weight & size.....	05
Precautions.....	06



Product

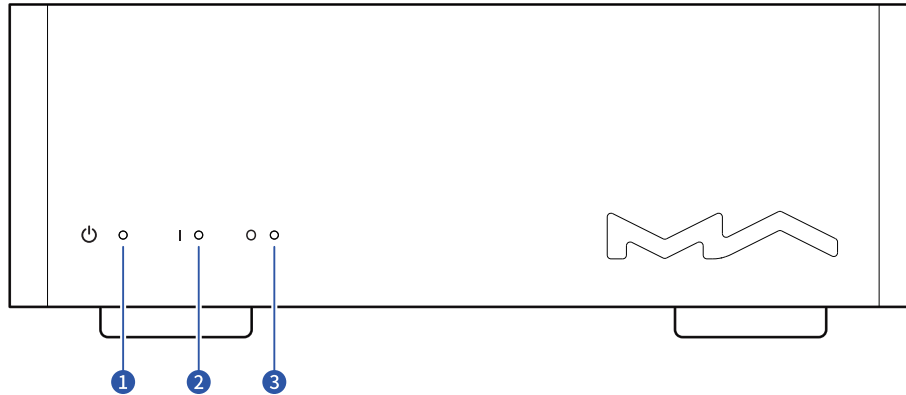


Power cable



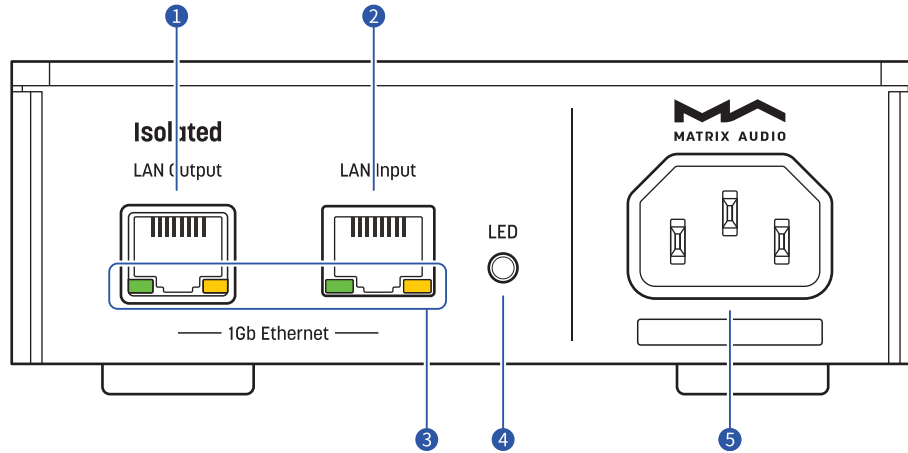
Printed Materials

## Front



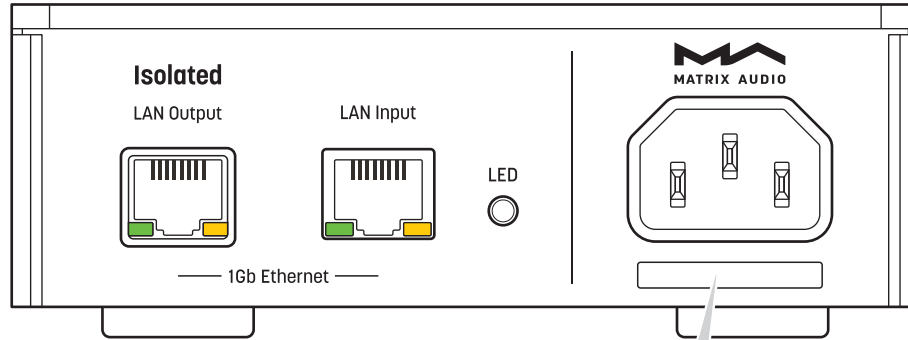
- 1 Power LED**  
The LED lights up when the power is connected.
- 2 LAN Input LED**  
The LED stays on when a valid Ethernet connection is established, and turns off when there is no connection.
- 3 Isolated LAN output LED**  
The LED stays on when a valid Ethernet connection is established, and turns off when there is no connection.

## Rear



- 1 Isolated LAN Output**  
Equipped with an RJ45 interface featuring opto-electronic isolation, supporting a maximum speed of up to 1Gbps.
- 2 LAN Input**  
An RJ45 Port with a maximum speed of up to 1Gbps.
- 3 Ethernet LED**  
Green LED stays on: Indicates that a 1Gbps link is connected. Yellow LED flashes: Indicates that data is being transmitted.  
Green LED turns off: Indicates that a 10/100Mbps link is connected. Yellow LED flashes: Indicates that data is being transmitted.  
Both green and yellow LEDs turn off: Indicates no connection.
- 4 LED Setting button**  
Press this button once while the device is on to turn all the LED indicators on or off, preventing light interference in dark environments caused by LED flickering.
- 5 Power input**  
The SI-1 is equipped with a high-quality sealed toroidal transformer and multiple ultra-low-noise linear power supplies inside. To ensure maximum low-noise performance and safety, please be sure to use a three-core power cable with a ground terminal and ensure a reliable ground connection. Otherwise, you may feel a slight electric shock sensation on the chassis of this unit.

## Rear



Before connecting to the power supply, ensure the input voltage complies with the applicable range indicated on the label.

## Technical specifications

### Standards and Protocol

IEEE 802.3 : 10BASE-T

IEEE 802.3 u : 100BASE-X

IEEE 802.3 z : 1000BASE-T

IEEE 802.3 ab : 1000BASE-T

### Ports

1 x 1Gbps/100Mbps/10Mbps RJ45

1 x 1Gbps/100Mbps/10Mbps RJ45 Isolated

### LED Indicators

There is one LED for power status on the front panel

There are two LEDs for link status on the front panel

On the back panel, each LAN Port has 2 LEDs for speed, link & activity.

### Max MAC entries

2K MAC address table

### Power Specs

Power Voltage: AC 100V-120V 50/60Hz or AC 220V-240V 50/60Hz, factory-fixed

Power Consumption: < 15W

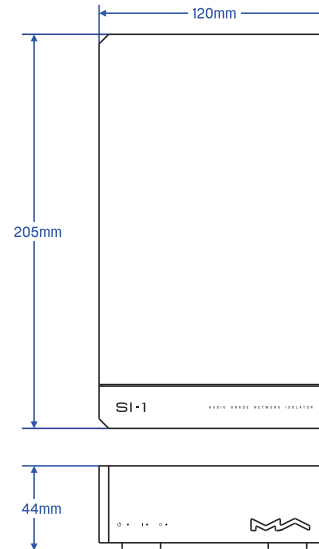
### Weight & Size

Weight : 1.54kg(3.39pounds)

Size : Width 120mm(4.72inches)

Depth 205mm(8.07inches)

Height 44mm(1.73inches)



\*For improvement purpose, specifications subject to changes without prior notice.

- This product is for indoor use only.
- For full ventilation, it is recommended to reserve a space of larger than 5 cm around the device.
- Do not cover the air vents with stuffs such as papers, tablecloths, and curtains to obstruct ventilation.
- Do not place stuff with flame, such as lighted candles, on the device.
- If the device is used in tropical areas, please be careful to prevent insects from entering the unit through the air vents.
- The device must not be subject to water droplets or splashes. Please do not place stuffs filled with liquids such as vases and cups on or near the device.