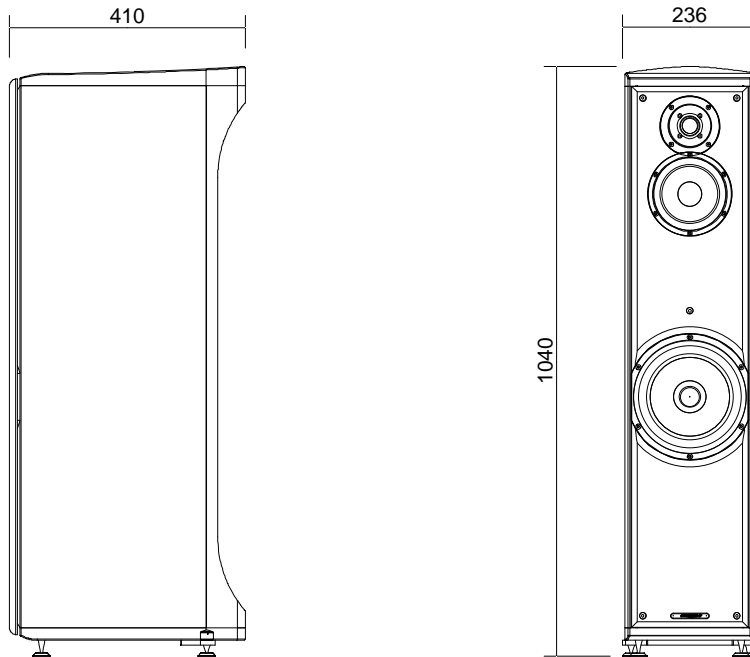


# *liuto wood*



**SYSTEM:** 3 way floorstanding vented box loudspeaker.

**CABINET:** Lute shape design ensures excellent stiffness avoiding resonances and standing waves. Sub-structural ribs are strategically placed for absolute rejection of spurious vibrations.

**TWEETER:** 25 mm high definition precoated fabric dome driver with wide soft polymer surround and rear chamber. Custom design.

**MIDRANGE:** 150 mm cone driver. A free compression basket design and a thermo-mouldered polypropylene textile cone, also known as “curv”, ensures an excellent dynamic performance. Custom design, synergistically optimized with its acoustic chamber.

**WOOFER:** 220 mm lightweight Aluminum/Magnesium alloy cone driver. Ultra dynamic performance and linearity. Special coaxial anti-compressor is used, designed to remove cavity resonances and distortions.

**CROSS-OVER:** Non-resonant second order design, optimized phase characteristics for optimal space/time performance, cross-over points 350 Hz – 3.500 Hz.

**FREQUENCY RESPONSE:** 40 Hz – 25.000 Hz, tuning ports included.

**SENSITIVITY:** 89 dB SPL (2.83 V/1m).

**NOMINAL IMPEDANCE:** 8 ohm.

**POWER HANDLING:** 40W – 250W without clipping.

**FINISH:** Combination of black leather and natural walnut.

**DIMENSIONS:** 1040 x 236 x 415 mm (HxWxD).

**WEIGHT:** 62.8 Kg per pair – net weight/ 75 Kg per pair – shipping weight.